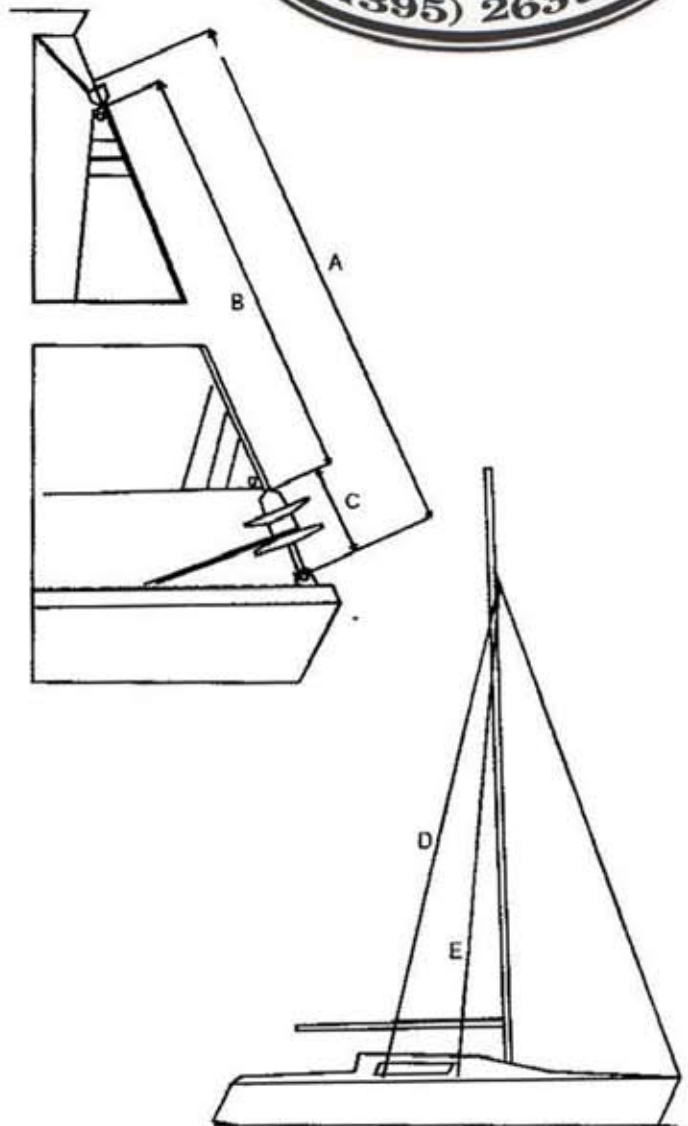


# Headsail Measurement Form (Furling & Non Furling)

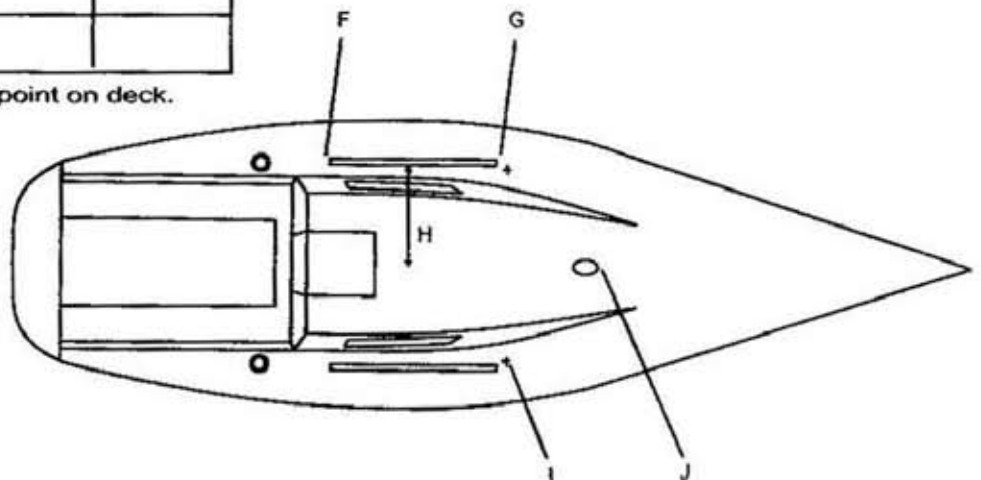


All Measurements in Meters

Name -	
Tel No -	
Boat Type -	
Sail No -	
Furling Gear Type -	
Luff Tape Diam -	
UV Strip - Pt / Stb	
A - Max hoist to deck (Non Furling)	
B - Max hoist to Tack Point on Drum	
C - Tack Point on Drum to Deck	
D - Max hoist to Aft end of track	
E - Max hoist to Fwd end of track	
F - Bow* to Aft end of track	
G - Bow* to Fwd end of track	
H - Distance track from Centreline	
I - Distance Shroud to Mast	
J - Distance Bow* to Front of Mast	
Other Info -	



\* Bow = Forestay attachment point on deck.



**Rowsell Sails - 24 Camperdown Terrace , Exmouth , EX8 1EH**  
**Tel ; 01395 263911 e-mail ; info@rowsellsails.co.uk**